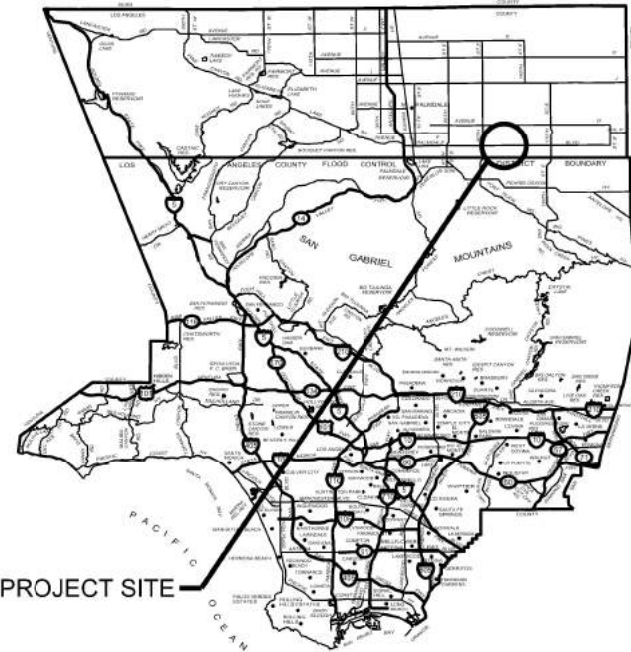


LOS ANGELES COUNTY PUBLIC WORKS LAKE LOS ANGELES- PALMDALE BOULEVARD (PHASE III) FROM 90TH STREET EAST TO 140TH STREET EAST PROJECT ID NO. RMD5504004

TOTAL LENGTH: 5.00 MILES

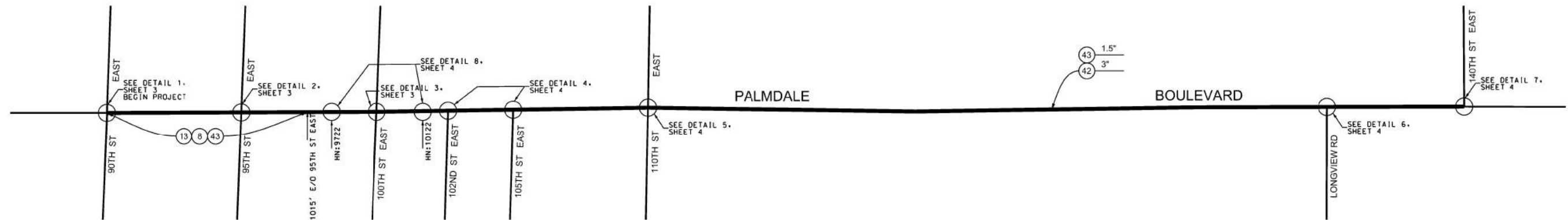


T.G. 4198 (A7-J7); 4199 (A7-B7)
R.D. 558

LOCATION MAP
NOT TO SCALE

INDEX TO PROJECT PLANS

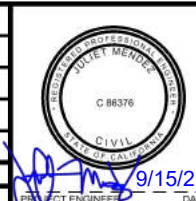
SHEET NUMBER	DESCRIPTION
1	TITLE SHEET
2	NOTES, REFERENCES, TYPICAL SECTION AND DETAILS
3	SECTIONS AND DETAILS
4	SECTIONS AND DETAILS



KEY MAP
NO SCALE



DATE	MARK	DESCRIPTION



LOS ANGELES COUNTY PUBLIC WORKS
LAKE LOS ANGELES -
PALMDALE BLVD (PHASE III) -
90TH STREET EAST
TO 140TH STREET EAST
PROJECT ID NO. RMD5504004
TITLE SHEET

PROJ NO. R34035007 PD SHEET 1 OF 4

APPROVED BY: *Allan Abrams* 9/15/21
DISTRICT ENGINEER DATE

DATE: 9/15/21
PROJECT ENGINEER

DRAFTER: P. SANQUE
 DESIGNER: P. SANQUE
 CHECKER: J. MENDEZ
 CADD PROJECT FILE NAME: SFILES

CONSTRUCTION LEGEND

- (8) ASPHALT CONCRETE PAVEMENT
- (13) COLDMILL ASPHALT CONCRETE PAVEMENT
- (41) SHOULDER GRADING
- (42) COLD-IN-PLACE RECYCLED ASPHALT CONCRETE PAVEMENT (CIRACP)
- (43) POLYMER MODIFIED ASPHALT CONCRETE (PMAC)

CONSTRUCTION NOTES

1. PRIME CONTRACTOR LICENSE REQUIRED: CLASS A OR C12.
2. STANDARD PLANS REFERENCED ARE PER THE STANDARD PLANS FOR PUBLIC WORKS CONSTRUCTION (SPPWC) UNLESS OTHERWISE NOTED.
3. THE AGENCY SHALL RESTORE THE PAVEMENT STRIPING AND PAVEMENT MARKINGS. THE CONTRACTOR SHALL CONTACT MR. VICTOR NOVELO OF THE OPERATIONAL SERVICES DIVISION AT (626) 476-4653, 30 DAYS PRIOR TO THE COMPLETION OF PAVEMENT WORK.

UTILITIES

POWER: SOUTHERN CALIFORNIA EDISON
 GAS: SOUTHERN CALIFORNIA GAS COMPANY
 TELEPHONE: CHARTER COMMUNICATIONS, AT&T DISTRIBUTION

REFERENCES

SURVEY FIELD NOTES: PWF 0000, PG XXX-XXX
 FINAL MATERIALS TEST REPORT: LAB NO 37642, DATED 6/14/21

CONSTRUCTION SYMBOLS

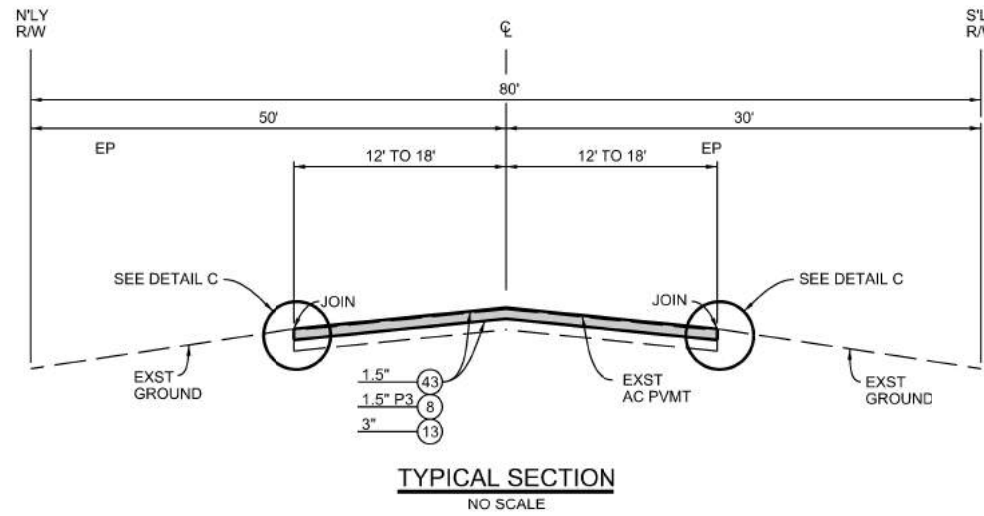
- (NC) INDICATES WORK PER CONSTRUCTION LEGEND
- (C) CURVE DATA SHOWN IN TABLE ON PLAN
- 2" P4 ABOVE LINE: INDICATES THE TYPE OF STANDARD OR THICKNESS OF SURFACE MATERIAL IN INCHES, STANDARD PLAN VARIABLES; CURB RAMP CASE, TYPE, SECTION AND DETAIL; OR TREE PLANTING CASE
- 5" CMB BELOW LINE: REFERENCE TO DETAIL OR THICKNESS OR BASE MATERIAL IN INCHES OR TREE WELL CASE
- A x B ABOVE LINE: A = LENGTH PARALLEL TO CURB
 4" CMB B = LENGTH PERDICULAR TO CURB

ABBREVIATIONS

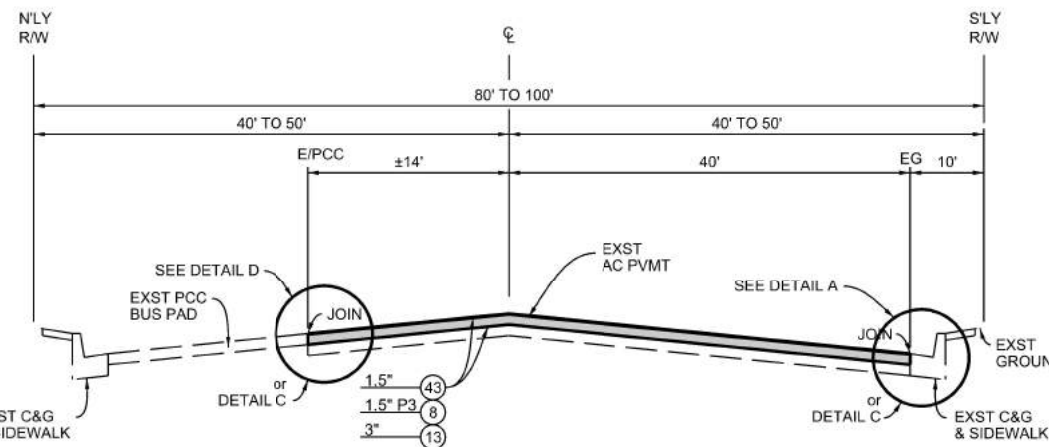
ABBREVIATION	WORD OR WORDS
AC	ASPHALT CONCRETE
BC	BEGINNING OF CURVE
BCR	BEGINNING OF CURB RETURN
BM	BENCH MARK
CL	CENTER LINE
CMB	CRUSHED MISCELLANEOUS BASE
CMP	CORRUGATED METAL PIPE
CONST	CONSTRUCT, CONSTRUCTION
CY	CUBIC YARD
DIA	DIAMETER
EC	END OF CURVE
ECR	END OF CURB RETURN
EG	EDGE OF GUTTER
EL	ELEVATION
EP	EDGE OF PAVEMENT
ETW	EDGE OF TRAVEL WAY
EXST	EXISTING
ES	EDGE OF SHOULDER
FL	FLOW LINE
H	HORIZONTAL
L	LENGTH
LACPW	LOS ANGELES COUNTY PUBLIC WORKS
MAX	MAXIMUM
MIN	MINIMUM
SF	SQUARE FOOT
SPPWC	STANDARD PLANS FOR PUBLIC WORKS CONSTRUCTION
STA	STATION
STD	STANDARD
R/W	RIGHT OF WAY
TYP	TYPICAL

AC PAVEMENT CLASS AND GRADE LEGEND

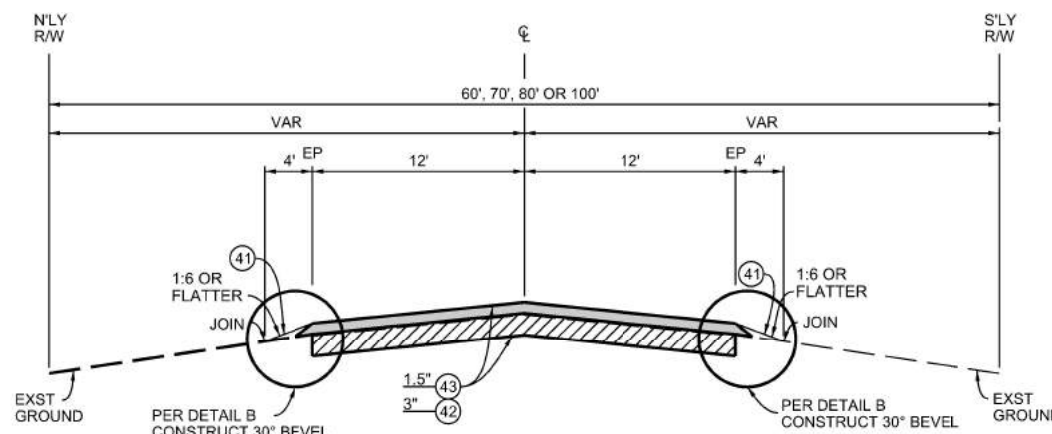
P1 C2-PG 70-10	P3 B-PG 70-10
B-PG 70-10	
P2 C2-PG 70-10	P4 D2-PG 70-10



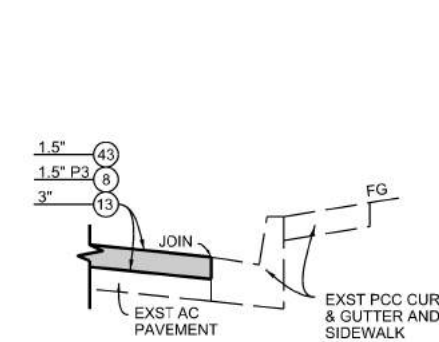
TYPICAL SECTION
NO SCALE
PALMDALE BLVD - ± 250' E/O 90TH STREET EAST TO 95TH STREET EAST



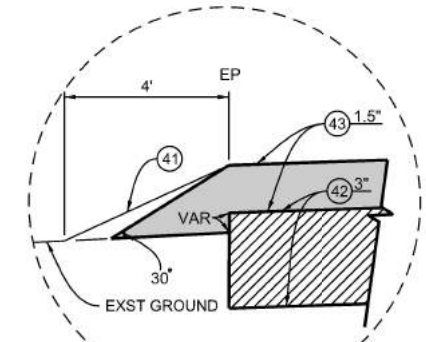
TYPICAL SECTION
NO SCALE
PALMDALE BLVD - 90TH STREET EAST TO ± 250' E/O 90TH STREET EAST
PALMDALE BLVD - 95TH STREET EAST TO ± 1015' E/O 95TH STREET EAST



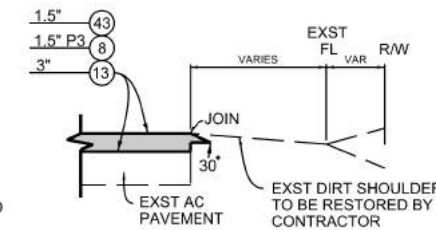
TYPICAL SECTION
NO SCALE
PALMDALE BLVD - 1015' E/O 95TH STREET EAST / 140TH STREET EAST



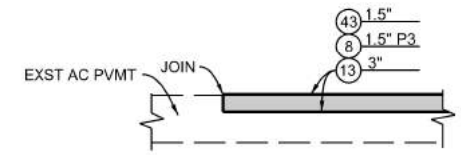
DETAIL A
NO SCALE



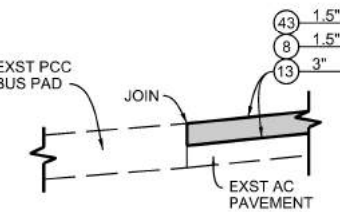
DETAIL B
NO SCALE



DETAIL C
NO SCALE



TYPICAL JOINT DETAIL
NO SCALE



DETAIL D
NO SCALE

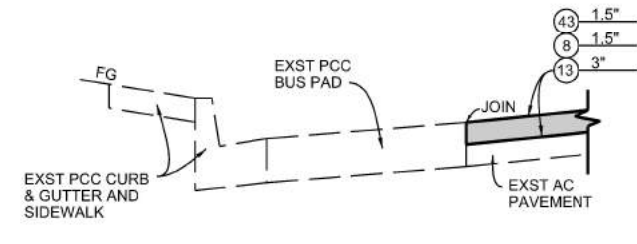
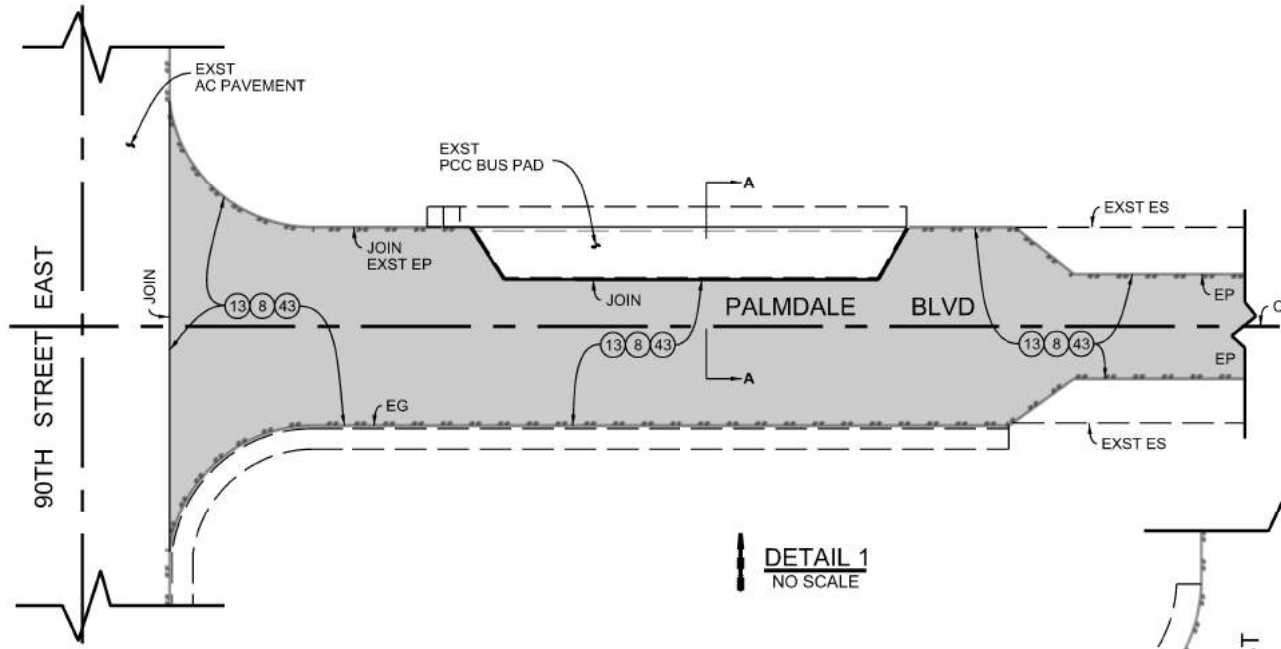
DATE	MARK	DESCRIPTION



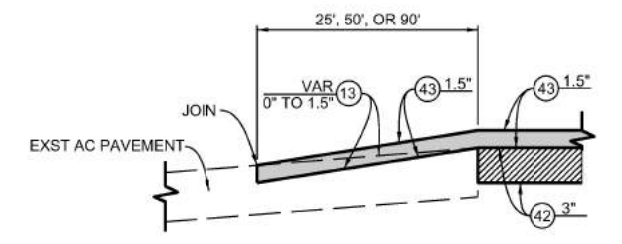
LOS ANGELES COUNTY PUBLIC WORKS

LAKE LOS ANGELES -
 PALMDALE BLVD (PHASE III) -
 90TH STREET EAST TO 140TH STREET EAST
 PROJECT ID NO. RMD5504004
 NOTES AND REFERENCES, TYP. SECTIONS AND DETAILS

DATE: 9/15/21
 PROJECT ENGINEER: [Signature]
 PROJECT NO: R34035007 PD SHEET 2 OF 4

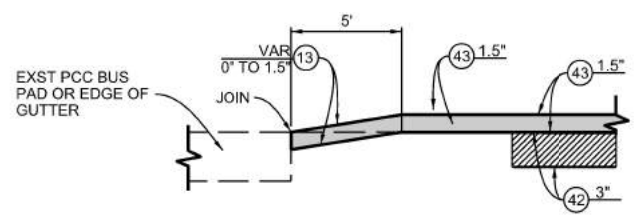
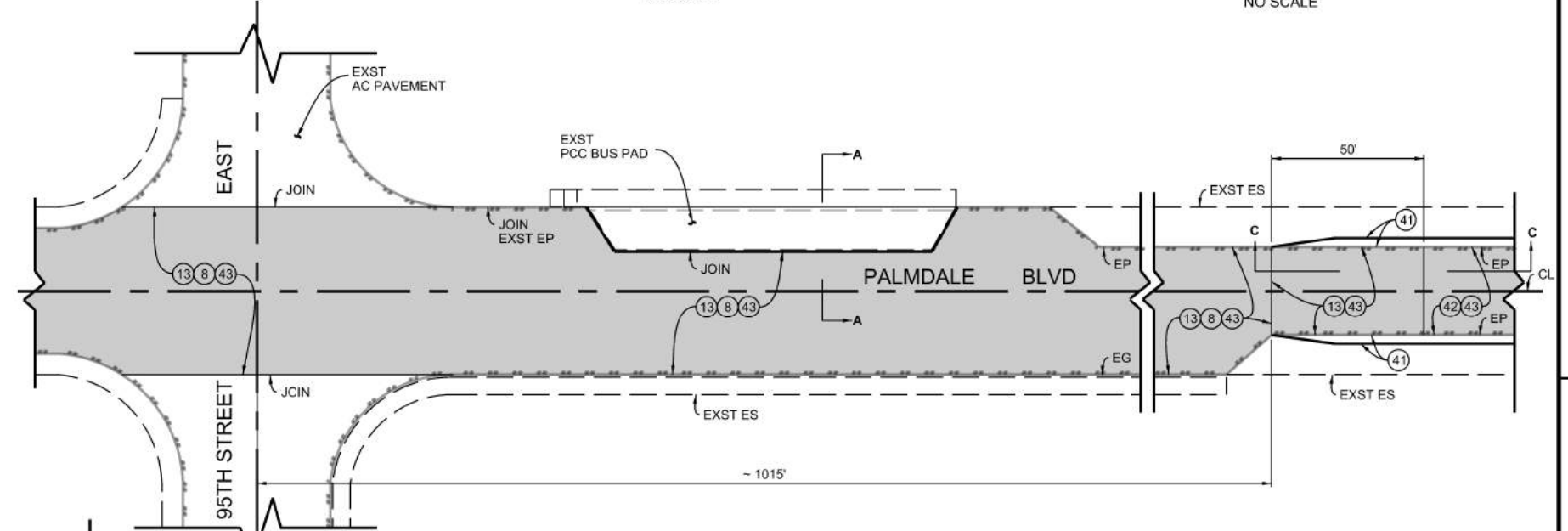


SECTION A-A
NO SCALE



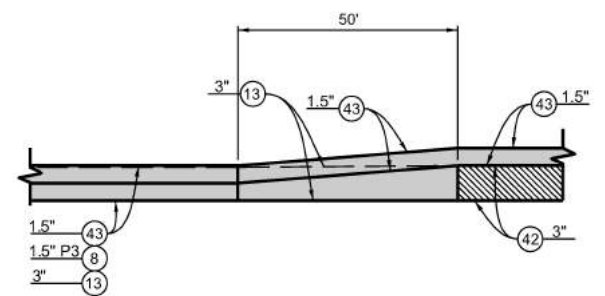
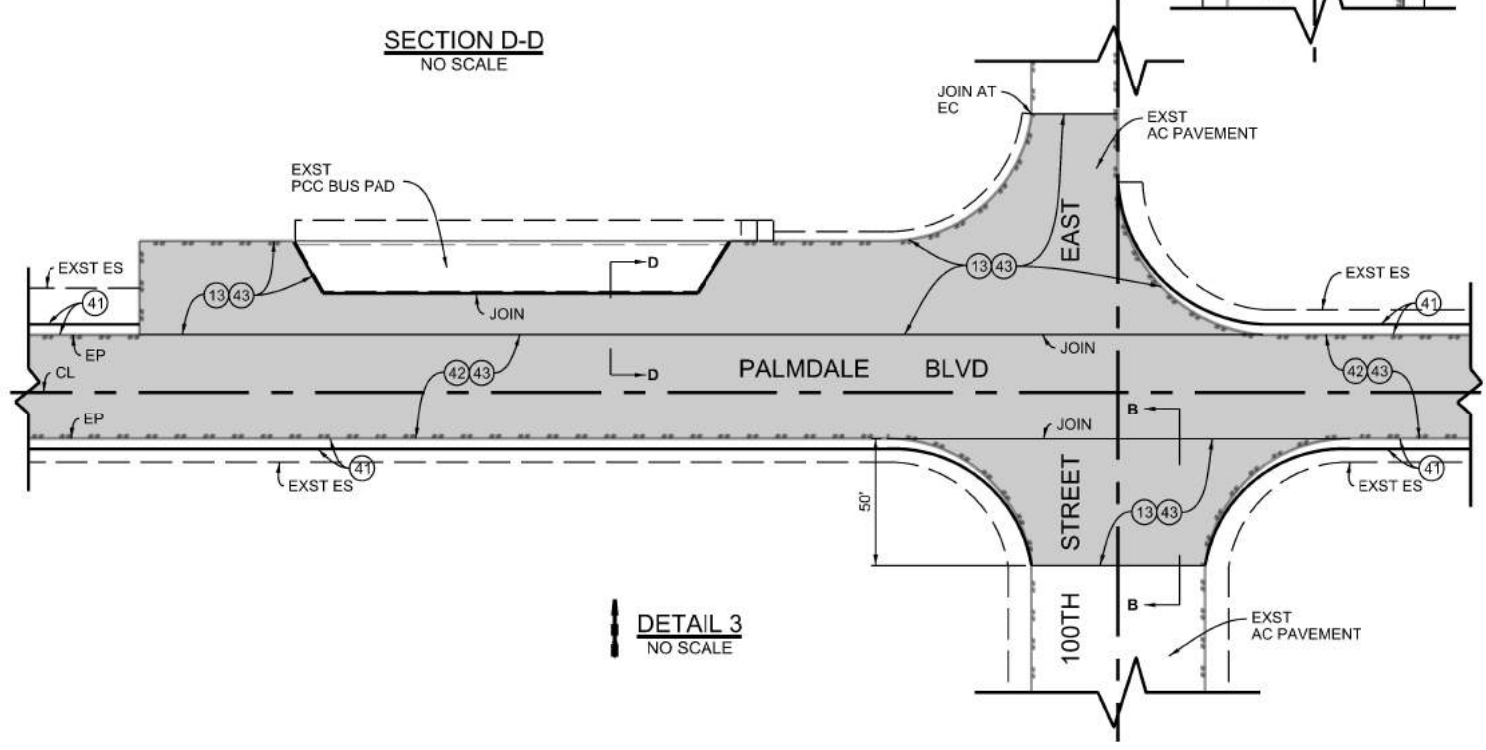
SECTION B-B
NO SCALE

DETAIL 1
NO SCALE



SECTION D-D
NO SCALE

DETAIL 2
NO SCALE



SECTION C-C
NO SCALE

DETAIL 3
NO SCALE

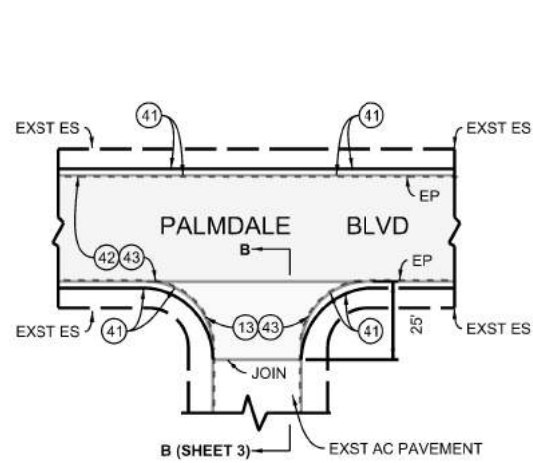
DRAFTER: P. SANQUE
 DESIGNER: P. SANQUE
 CHECKER: J. MENDEZ
 CADD PROJECT FILE NAME: \$FILES\$

DATE	MARK	DESCRIPTION

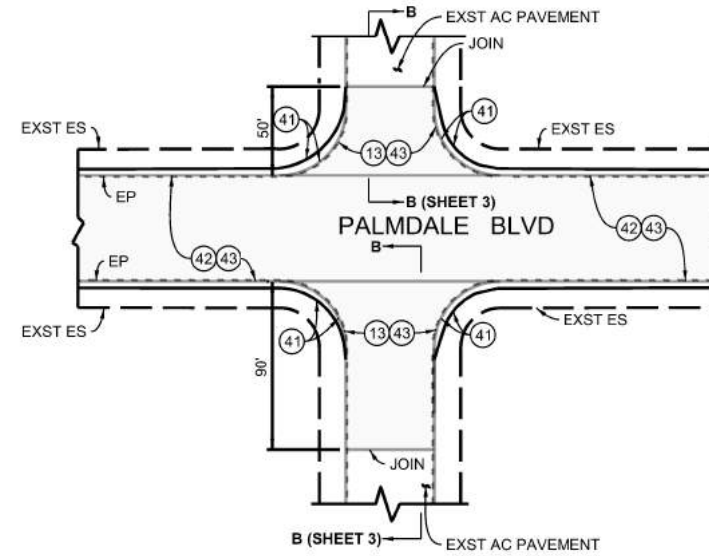


LOS ANGELES COUNTY PUBLIC WORKS
LAKE LOS ANGELES -
 PALMDALE BLVD (PHASE III) -
 90TH STREET EAST TO 140TH STREET EAST
 PROJECT ID NO. RMD5504004
 SECTIONS AND DETAILS

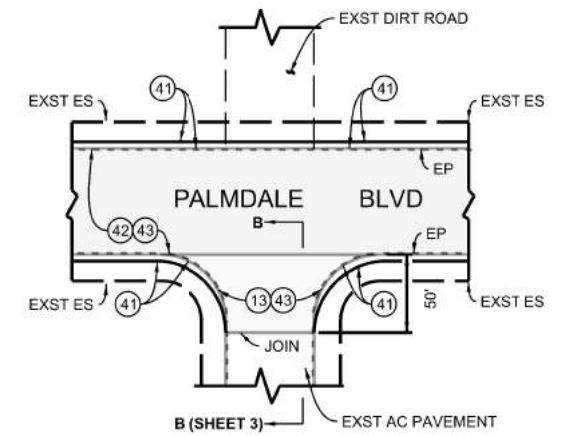
PROJECT ENGINEER: *[Signature]* DATE: 9/15/21
 PROJ. NO: R34035007 PD SHEET 3 OF 4



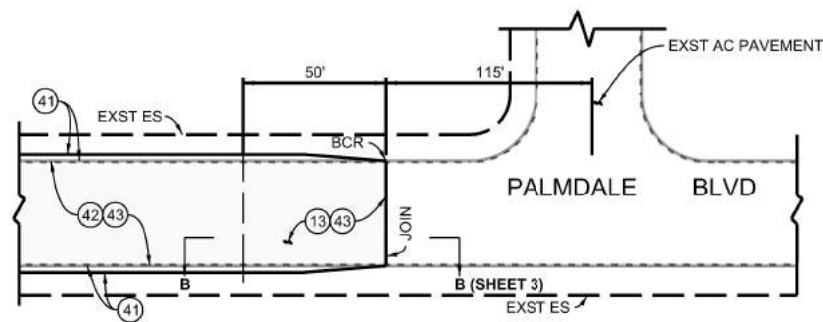
DETAIL 4
NO SCALE
PALMDALE BOULEVARD @ 102ND STREET EAST &
105TH STREET EAST



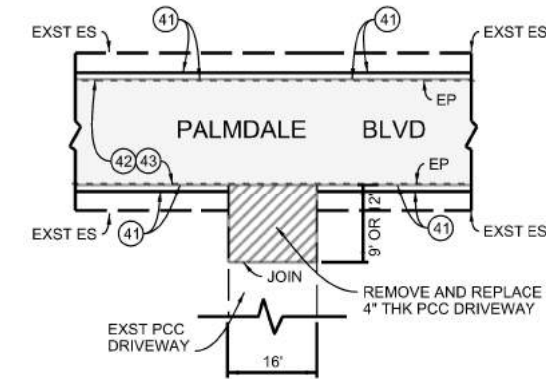
DETAIL 5
NO SCALE
PALMDALE BOULEVARD @ 110TH STREET EAST



DETAIL 6
NO SCALE
PALMDALE BOULEVARD @ LONGVIEW RD



DETAIL 7
NO SCALE
PALMDALE BOULEVARD @ 140TH STREET EAST



DETAIL 8
NO SCALE
W/DWY @ 9722 PALMDALE BOULEVARD (12' LONG)
E/DWY @ 9722 PALMDALE BOULEVARD (9' LONG)
@ 10122 PALMDALE BOULEVARD (9' LONG)

CADD PROJECT FILE NAME: \$FILESS
 CHECKER: J. MENDEZ
 DESIGNER: P. SANQUE
 DRAFTER: P. SANQUE

DATE	MARK	DESCRIPTION



PROJECT ENGINEER: [Signature]
DATE: 9/15/21

LOS ANGELES COUNTY PUBLIC WORKS

LAKE LOS ANGELES -
 PALMDALE BLVD (PHASE III) -
 90TH STREET EAST TO 140TH STREET EAST
 PROJECT ID NO. RMD5504004
 SECTIONS AND DETAILS

PROJ. NO: R34035007 PD SHEET 4 OF 4